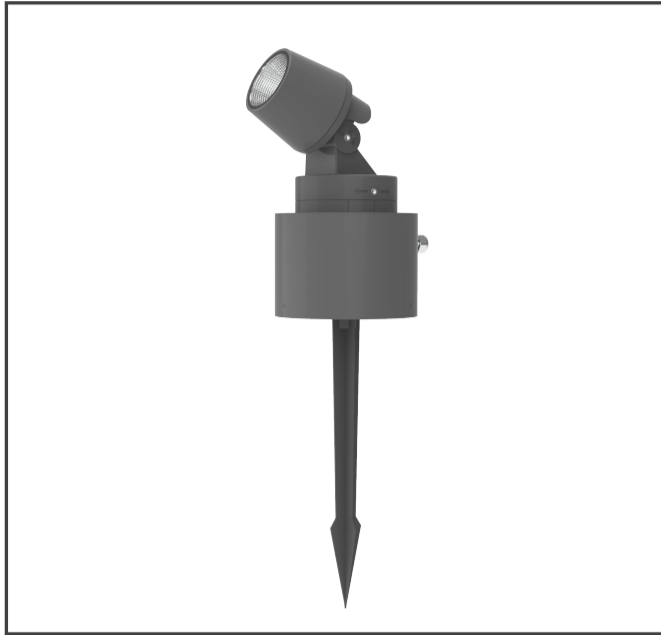


Code

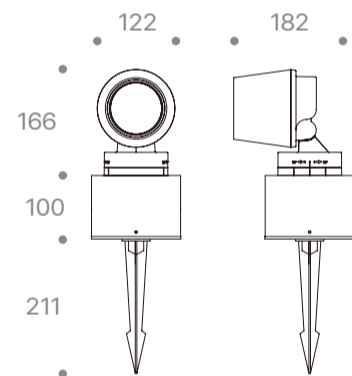
E0604-14C30A000-HO / E0604-14C30B000-HO

Technical data

LED Source	COB
Luminous Flux (lm)	1141(3000K)
Power (W)	13
Luminous efficiency (lm/W)	87
Beam angle (°)	30
Color Temperature (K)	3000~6000
CRI	≥80
Installation	Floor, Wall
Dimension (mm)	122 x 182 x 166
Housing	Diecast aluminium body, Stainless steel screws, Silicone seal gaskets
Diffuser	Clear tempered glass
Reflector	Aluminium
Optic	-
IP rating	65
Finish Color	Dark gray or Silver powdercoat finish
Electrical Data	AC 220~240V, 50~60 Hz
Control	-
Certification	-



Drawing



Accessory



Spike

Photometric Data

Condition	13W . 3000K . 1141lm
-----------	----------------------

