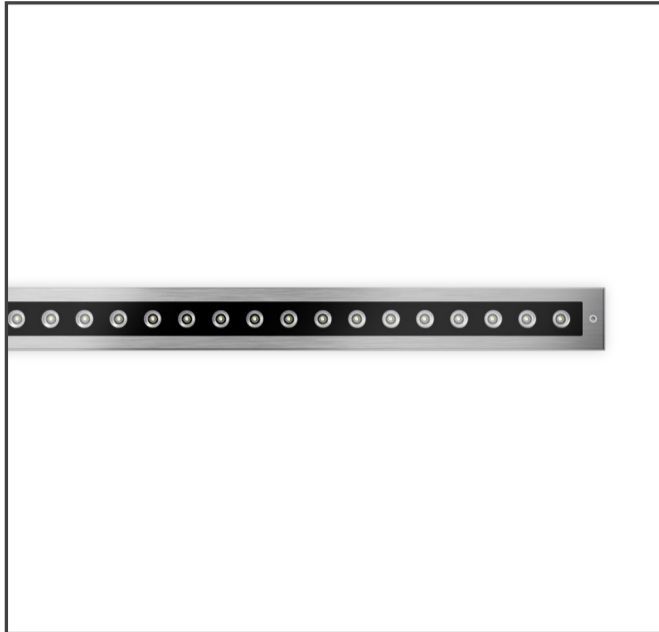


Code

E0908-32S30A100 / E0908-32S30B100 / E0908-32S30D100

Technical data

LED Source	SMD
Luminous Flux (lm)	2580(3000K)
Power (W)	32
Luminous efficiency (lm/W)	81
Beam angle (°)	15, 30, 60
Color Temperature (K)	3000
CRI	≥80
Installation	Inground
Dimension (mm)	80 x 1250 x 84
Housing	Diecast aluminium body, Stainless steel screws, Silicone seal gaskets
Diffuser	Clear tempered glass
Reflector	-
Optic	PMMA
IP rating	67
Finish Color	-
Electrical Data	DC 24V
Control	-
Certification	-

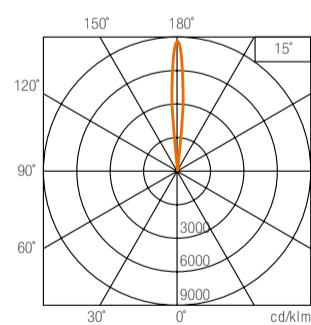


Drawing



Photometric Data

Condition	32W . 3000K . 2580lm
-----------	----------------------



E0908 Series

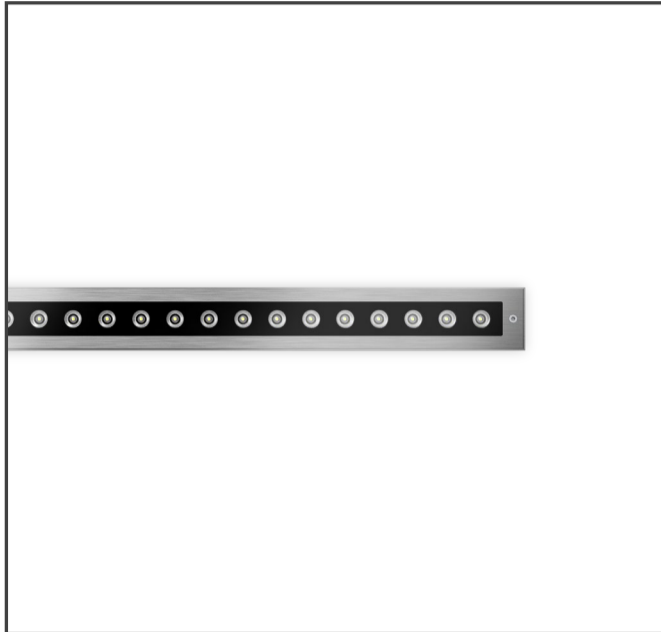
— C0C180

Code

E0908-18S30A060 / E0908-18S30B060 / E0908-18S30D060

Technical data

LED Source	SMD
Luminous Flux (lm)	1440(3000K)
Power (W)	18
Luminous efficiency (lm/W)	80
Beam angle (°)	15, 30, 60
Color Temperature (K)	3000
CRI	≥80
Installation	Inground
Dimension (mm)	80 x 650 x 84
Housing	Diecast aluminium body, Stainless steel screws, Silicone seal gaskets
Diffuser	Clear tempered glass
Reflector	-
Optic	PMMA
IP rating	67
Finish Color	-
Electrical Data	DC 24V
Control	-
Certification	-

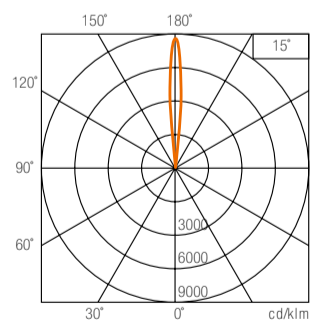


Drawing



Photometric Data

Condition	18W . 3000K . 1440lm
-----------	----------------------



E0908 Series

— C0C180