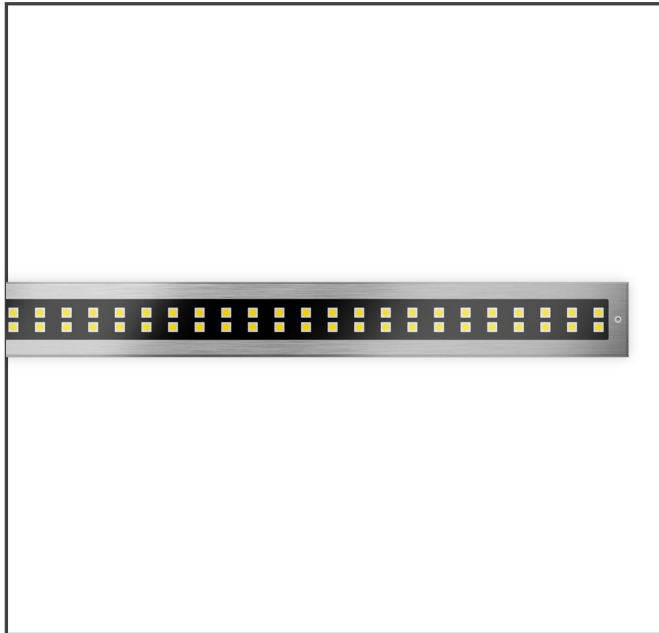


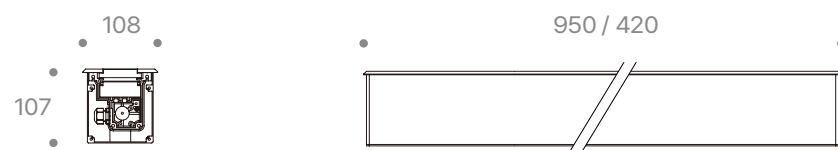
Code
E0909-58S30Z090

Technical data



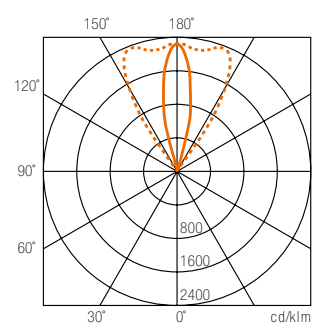
LED Source	SMD
Luminous Flux (lm)	4640(3000K)
Power (W)	58
Luminous efficiency (lm/W)	80
Beam angle (°)	Asymmetry
Color Temperature (K)	3000
CRI	≥80
Installation	Inground
Dimension (mm)	108 x 950 x 107
Housing	Diecast aluminium body, Stainless steel screws, Silicone seal gaskets
Diffuser	Clear tempered glass
Reflector	-
Optic	PMMA
IP rating	67
Finish Color	-
Electrical Data	DC 24V
Control	-
Certification	-

Drawing



Photometric Data

Condition 58W . 3000K . 4640lm

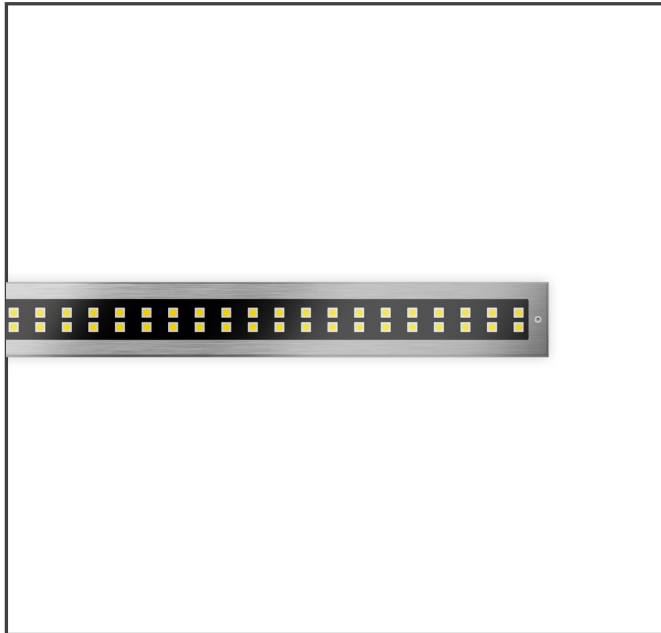


E0909 Series

— C0C180 C90C270

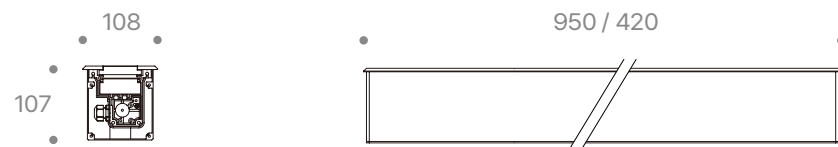
Code
E0909-22S30Z040

Technical data



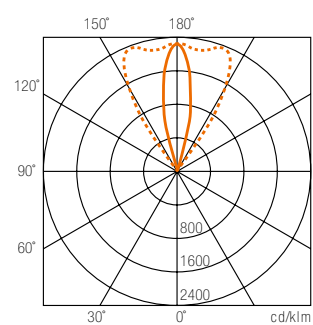
LED Source	SMD
Luminous Flux (lm)	1760(3000K)
Power (W)	22
Luminous efficiency (lm/W)	80
Beam angle (°)	Asymmetry
Color Temperature (K)	3000
CRI	≥80
Installation	Inground
Dimension (mm)	108 x 420 x 107
Housing	Diecast aluminium body, Stainless steel screws, Silicone seal gaskets
Diffuser	Clear tempered glass
Reflector	-
Optic	PMMA
IP rating	67
Finish Color	-
Electrical Data	DC 24V
Control	-
Certification	-

Drawing



Photometric Data

Condition 22W . 3000K . 1760lm



E0909 Series
 — C0C180 C90C270