

Kailux

Last Update : 2023 . 08

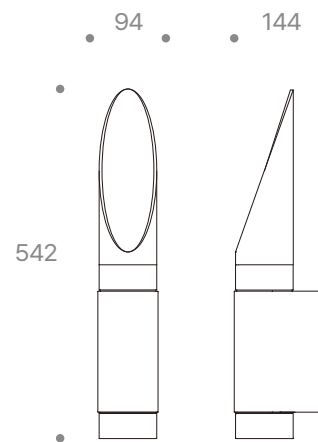
**Code**  
E0417-17C30Z000

**Technical data**



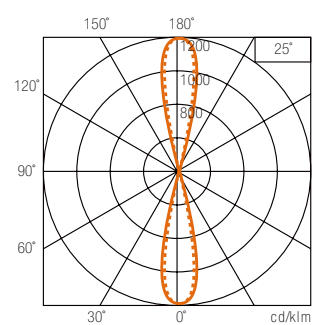
LED Source	COB
Luminous Flux (lm)	850 x 2(3000K)
Power (W)	8.5 x 2
Luminous efficiency (lm/W)	100
Beam angle (°)	25, 40(하부)
Color Temperature (K)	3000~6000
CRI	≥80
Installation	Wall
Dimension (mm)	90 x 144 x 542
Housing	Cast aluminium body, Stainless steel screws, Silicone seal gaskets
Diffuser	Clear tempered glass
Reflector	Aluminium
Optic	-
IP rating	65
Finish Color	Dark gray powdercoat finish
Electrical Data	AC 220~240V, 50~60 Hz
Control	-
Certification	KS

**Drawing**



**Photometric Data**

Condition	8.5W x 2 . 3000K . 850lm x 2
-----------	------------------------------



E0417-1  
— C0C180    ..... C90C270

Kailux

Last Update : 2023 . 08

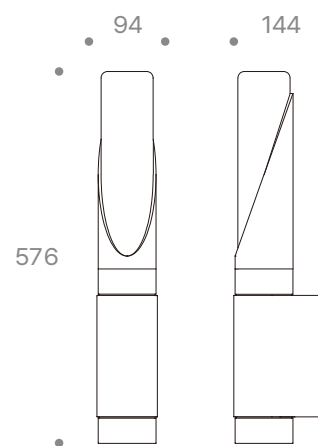
**Code**  
E0417-17C30Z000-OP

**Technical data**



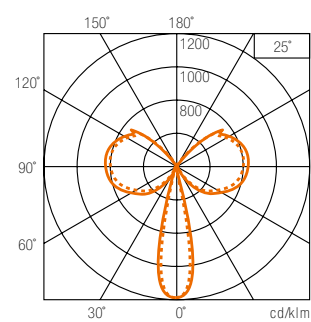
LED Source	COB
Luminous Flux (lm)	850 x 2(3000K)
Power (W)	8.5 x 2
Luminous efficiency (lm/W)	100
Beam angle (°)	25, 40(하부)
Color Temperature (K)	3000~6000
CRI	≥80
Installation	Wall
Dimension (mm)	90 x 144 x 270
Housing	Cast aluminium body, Stainless steel screws, Silicone seal gaskets
Diffuser	Clear tempered glass, Opal acrylic
Reflector	Aluminium
Optic	-
IP rating	65
Finish Color	Dark gray powdercoat finish
Electrical Data	AC 220~240V, 50~60 Hz
Control	-
Certification	KS

**Drawing**



**Photometric Data**

**Condition** 8.5W x 2 . 3000K . 850lm x 2



E0417  
— C0C180    ..... C90C270