

Kailux

Last Update : 2023 . 08

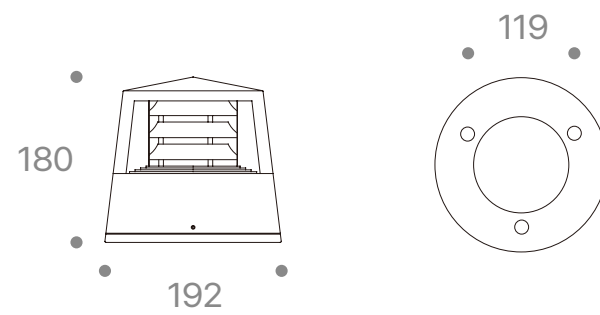
Code

E0301-10L30L010

Technical data

| | |
|----------------------------|---|
| LED Source | BULB |
| Luminous Flux (lm) | - |
| Power (W) | - |
| Luminous efficiency (lm/W) | - |
| Beam angle (°) | - |
| Color Temperature (K) | 3000 |
| CRI | ≥75 |
| Installation | Floor |
| Dimension (mm) | 192 x 180 |
| Housing | Diecast aluminium body, Stainless steel screws, Silicone seal gaskets |
| Diffuser | Acrylic |
| Reflector | Aluminium |
| Socket | E26 |
| IP rating | 65 |
| Finish Color | Dark gray powdercoat finish |
| Electrical Data | AC 220~240V, 50~60 Hz |
| Control | - |
| Certification | - |

Drawing



Photometric Data

| | |
|-----------|---|
| Condition | - |
|-----------|---|