

Kailux

Last Update : 2023 . 08

**Code**

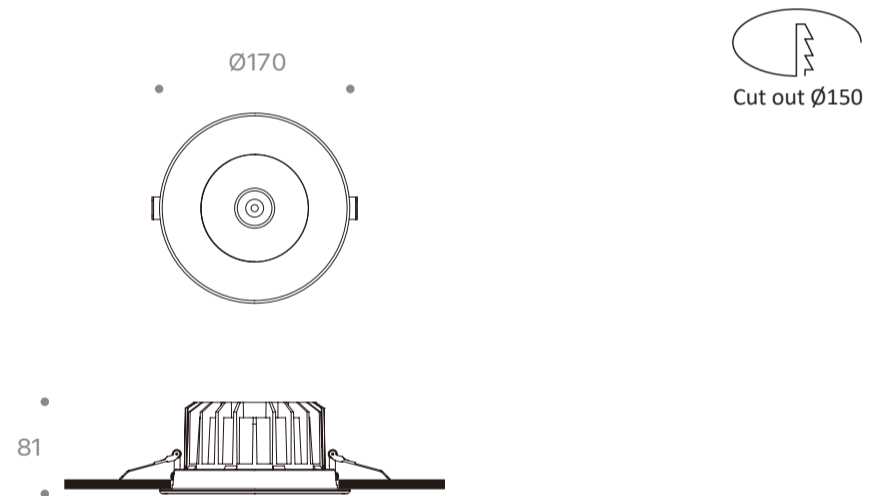
E1003-15C30Z060 / E1003-15C40Z060 / E1003-15C57Z060

**Technical data**



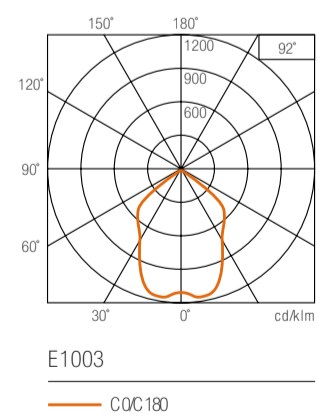
LED Source	COB
Luminous Flux (lm)	1500(3000K)
Power (W)	15
Luminous efficiency (lm/W)	100
Beam angle (°)	92
Color Temperature (K)	3000 / 4000 / 5700
CRI	≥80
Installation	Recessed
Dimension (mm)	170 x 85
Housing	Diecast aluminium body, Stainless steel screws, Silicone seal gaskets
Diffuser	-
Reflector	-
Optic	Silicone lens
IP rating	44
Finish Color	White powdercoat finish
Electrical Data	AC 220~240V, 50~60 Hz
Control	-
Certification	KS

**Drawing**



**Photometric Data**

Condition	15W . 3000K . 92° . 1500lm
-----------	----------------------------



**Code**

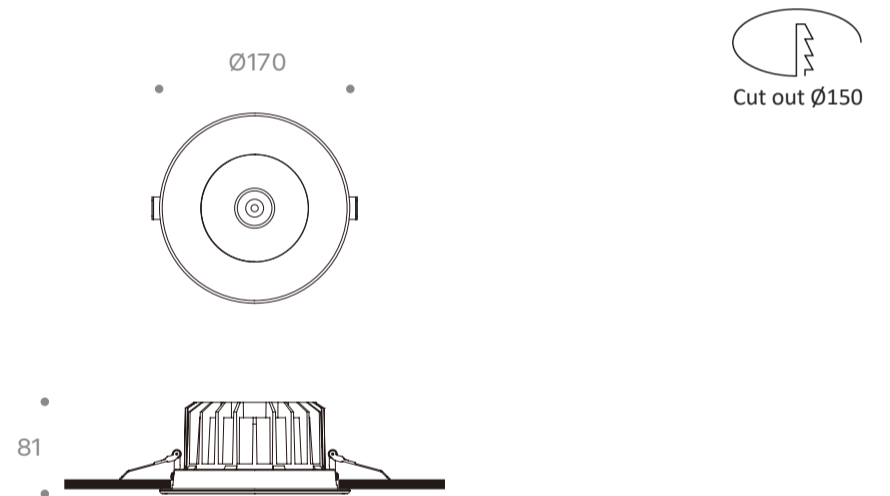
E1003-20C30Z060 / E1003-20C40Z060 / E1003-20C57Z060

**Technical data**



LED Source	COB
Luminous Flux (lm)	2200(3000K)
Power (W)	20
Luminous efficiency (lm/W)	110
Beam angle (°)	92
Color Temperature (K)	3000 / 4000 / 5700
CRI	≥80
Installation	Recessed
Dimension (mm)	170 x 85
Housing	Diecast aluminium body, Stainless steel screws, Silicone seal gaskets
Diffuser	-
Reflector	-
Optic	Silicone lens
IP rating	44
Finish Color	White powdercoat finish
Electrical Data	AC 220~240V, 50~60 Hz
Control	-
Certification	KS

**Drawing**



**Photometric Data**

Condition	15W . 3000K . 92° . 1500lm
-----------	----------------------------

