

Kailux

Last Update : 2020 . 08

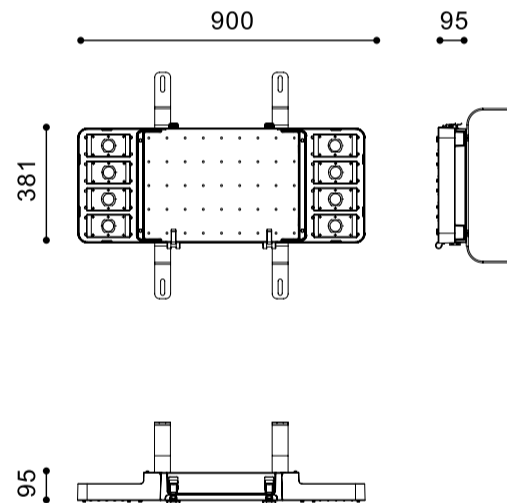
Code
E0701-1

Technical data



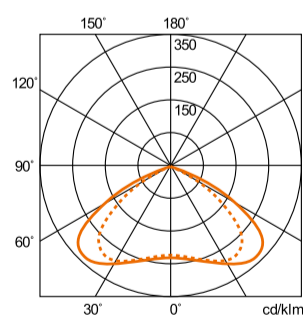
LED Source	COB
Luminous Flux (lm)	27718(5700K)
Power (W)	195
Luminous efficiency (lm/W)	147
Beam angle (°)	Asymmetry
Color Temperature (K)	3000~6000
CRI	≥85
Installation	Wall, Ceiling
Dimension (mm)	900 x 381 x 95
Housing	Diecast aluminium body, Stainless steel screws, Silicone seal gaskets
Diffuser	-
Reflector	-
Optic	Silicone lens
IP rating	66
Finish Color	Dark gray or Silver powdercoat finish
Electrical Data	AC 220~240V, 50~60 Hz
Control	-
Weight (Kg)	12
Certification	KS, 친환경, 성능인증, 고효율, 우수조달, 전자파 적합등록

Drawing



Photometric Data

Condition 195W . 5700K . 27718lm



E0701-1

— C0/C180 ····· C90/C270