

Kailux

Last Update : 2020 . 08

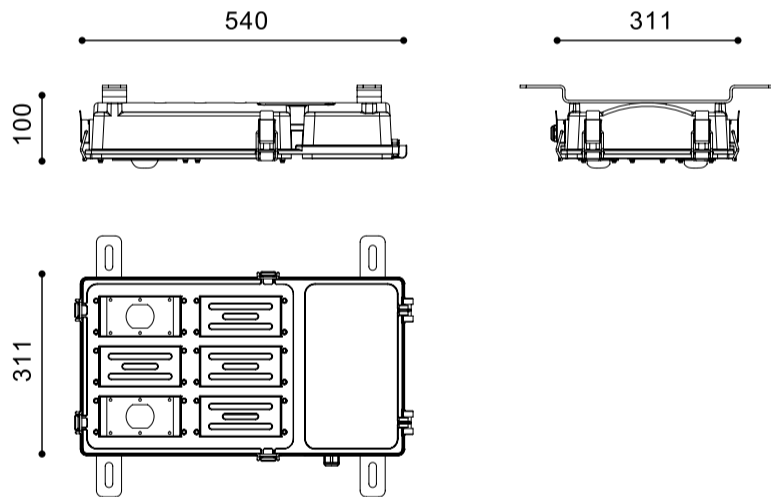
Code  
E0702

Technical data



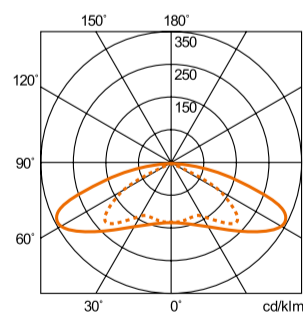
LED Source	COB
Luminous Flux (lm)	6731(5700K)
Power (W)	50
Luminous efficiency (lm/W)	140
Beam angle (°)	Asymmetry
Color Temperature (K)	3000~6000
CRI	≥85
Installation	Wall, Ceiling
Dimension (mm)	540 x 311 x 100
Housing	Diecast aluminium body, Stainless steel screws, Silicone seal gaskets
Diffuser	-
Reflector	-
Optic	Silicone lens
IP rating	66
Finish Color	Dark gray or Silver powdercoat finish
Electrical Data	AC 220~240V, 50~60 Hz
Control	-
Weight (Kg)	8
Certification	KS, 친환경, 성능인증, 고효율, 우수조달, 전자파 적합등록

Drawing



Photometric Data

Condition 50W . 5700K . 6731lm



E0702

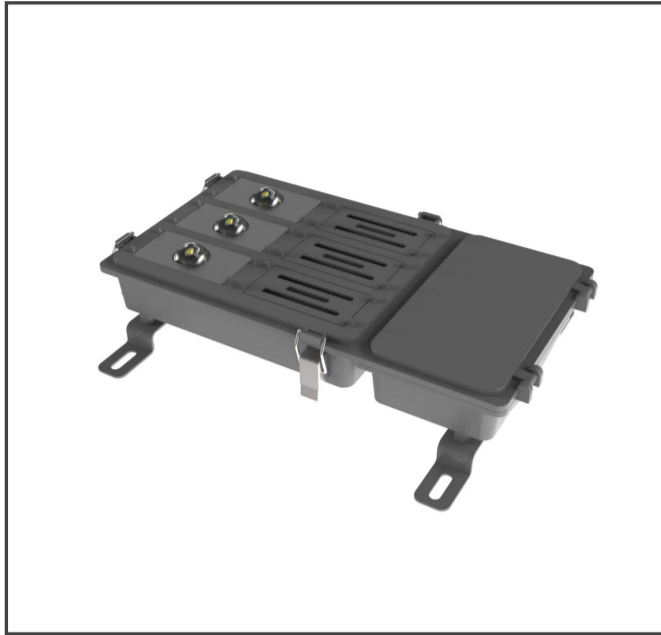
— C0/C180 ····· C90/C27

Kailux

Last Update : 2020 . 08

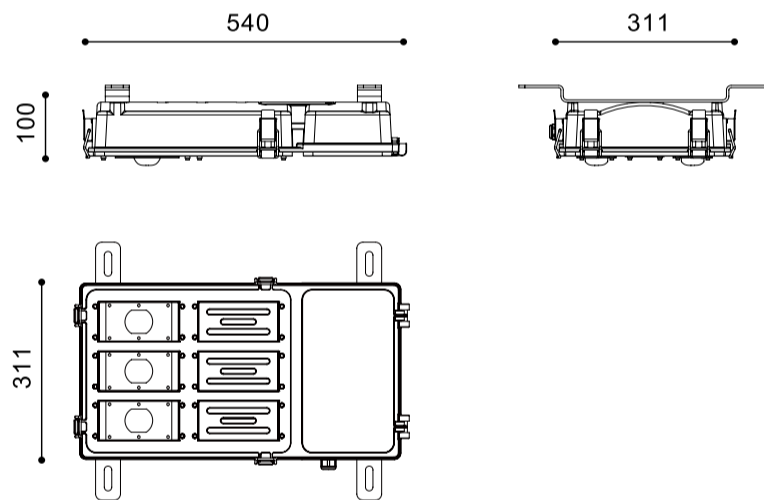
**Code**  
E0702-1

**Technical data**



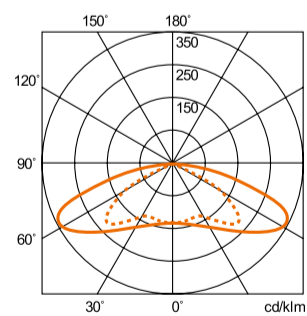
LED Source	COB
Luminous Flux (lm)	10524(5700K)
Power (W)	75
Luminous efficiency (lm/W)	142
Beam angle (°)	Asymmetry
Color Temperature (K)	3000~6000
CRI	≥85
Installation	Wall, Ceiling
Dimension (mm)	540 x 311 x 100
Housing	Diecast aluminium body, Stainless steel screws, Silicone seal gaskets
Diffuser	-
Reflector	-
Optic	Silicone lens
IP rating	66
Finish Color	Dark gray or Silver powdercoat finish
Electrical Data	AC 220~240V, 50~60 Hz
Control	-
Weight (Kg)	8
Certification	KS, 친환경, 성능인증, 고효율, 우수조달, 전자파 적합등록

**Drawing**



**Photometric Data**

Condition 75W . 5700K . 10524lm



E0702-1

— C0/C180 ····· C90/C27

Kailux

Last Update : 2020 . 08

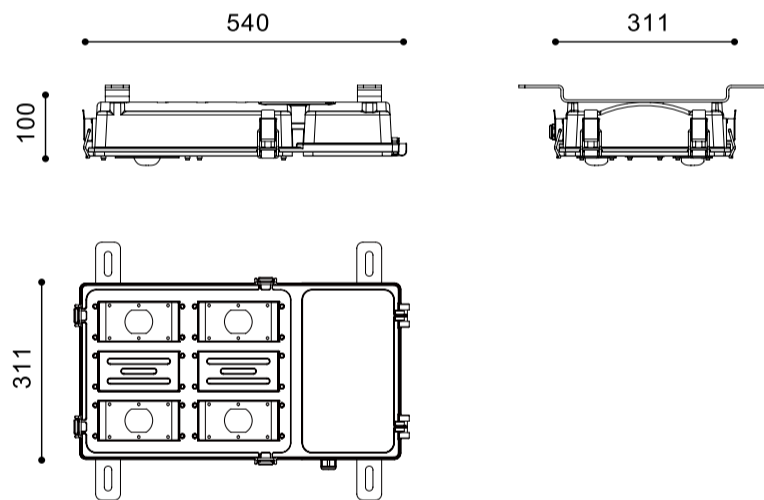
**Code**  
E0702-2

**Technical data**



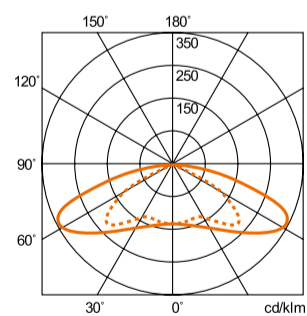
LED Source	COB
Luminous Flux (lm)	14095(5700K)
Power (W)	100
Luminous efficiency (lm/W)	142
Beam angle (°)	Asymmetry
Color Temperature (K)	3000~6000
CRI	≥85
Installation	Wall, Ceiling
Dimension (mm)	540 x 311 x 100
Housing	Diecast aluminium body, Stainless steel screws, Silicone seal gaskets
Diffuser	-
Reflector	-
Optic	Silicone lens
IP rating	66
Finish Color	Dark gray or Silver powdercoat finish
Electrical Data	AC 220~240V, 50~60 Hz
Control	-
Weight (Kg)	9.5
Certification	KS, 친환경, 성능인증, 고효율, 우수조달, 전자파 적합등록

**Drawing**



**Photometric Data**

Condition	100W . 5700K . 14095lm
-----------	------------------------



E0702-2  
— C0/C180 ····· C90/C27

Kailux

Last Update : 2020 . 08

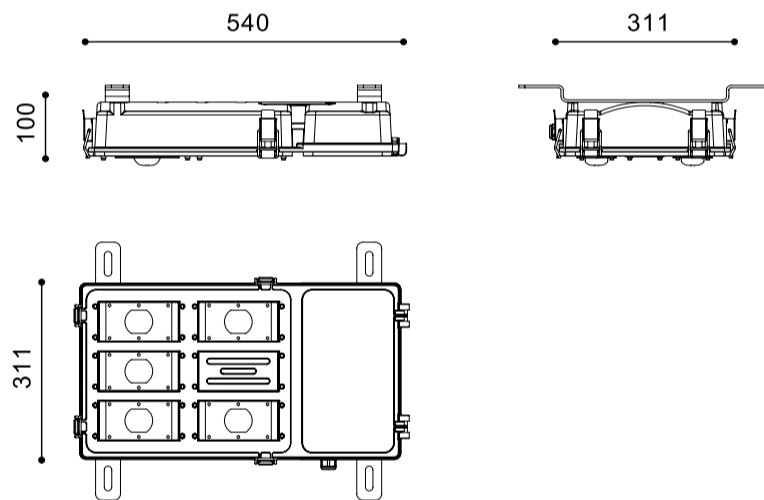
**Code**  
E0702-3

**Technical data**



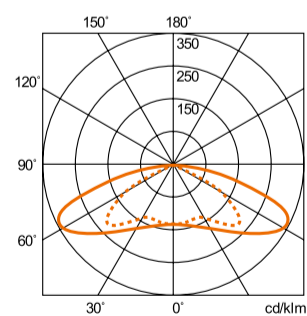
LED Source	COB
Luminous Flux (lm)	18025(5700K)
Power (W)	125
Luminous efficiency (lm/W)	144
Beam angle (°)	Asymmetry
Color Temperature (K)	3000~6000
CRI	≥85
Installation	Wall, Ceiling
Dimension (mm)	540 x 311 x 100
Housing	Diecast aluminium body, Stainless steel screws, Silicone seal gaskets
Diffuser	-
Reflector	-
Optic	Silicone lens
IP rating	66
Finish Color	Dark gray or Silver powdercoat finish
Electrical Data	AC 220~240V, 50~60 Hz
Control	-
Weight (Kg)	9.5
Certification	KS, 친환경, 성능인증, 고효율, 우수조달, 전자파 적합등록

**Drawing**



**Photometric Data**

Condition	125W . 5700K . 18025lm
-----------	------------------------



E0702-3  
— C0/C180 ····· C90/C27

Kailux

Last Update : 2020 . 08

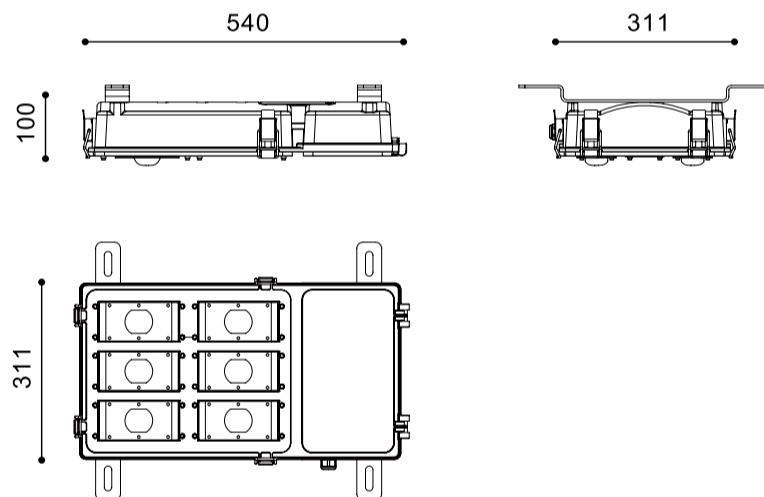
**Code**  
E0702-4

**Technical data**



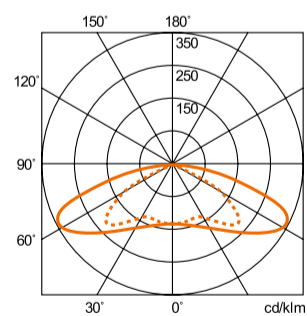
LED Source	COB
Luminous Flux (lm)	22252(5700K)
Power (W)	150
Luminous efficiency (lm/W)	149
Beam angle (°)	Asymmetry
Color Temperature (K)	3000~6000
CRI	≥85
Installation	Wall, Ceiling
Dimension (mm)	540 x 311 x 100
Housing	Diecast aluminium body, Stainless steel screws, Silicone seal gaskets
Diffuser	-
Reflector	-
Optic	Silicone lens
IP rating	66
Finish Color	Dark gray or Silver powdercoat finish
Electrical Data	AC 220~240V, 50~60 Hz
Control	-
Weight (Kg)	9.5
Certification	KS, 친환경, 성능인증, 고효율, 우수조달, 전자파 적합등록

**Drawing**



**Photometric Data**

Condition	150W . 5700K . 22252lm
-----------	------------------------



E0702-4  
— C0/C180 ····· C90/C27