

**Kailux**

Last Update : 2020 . 08

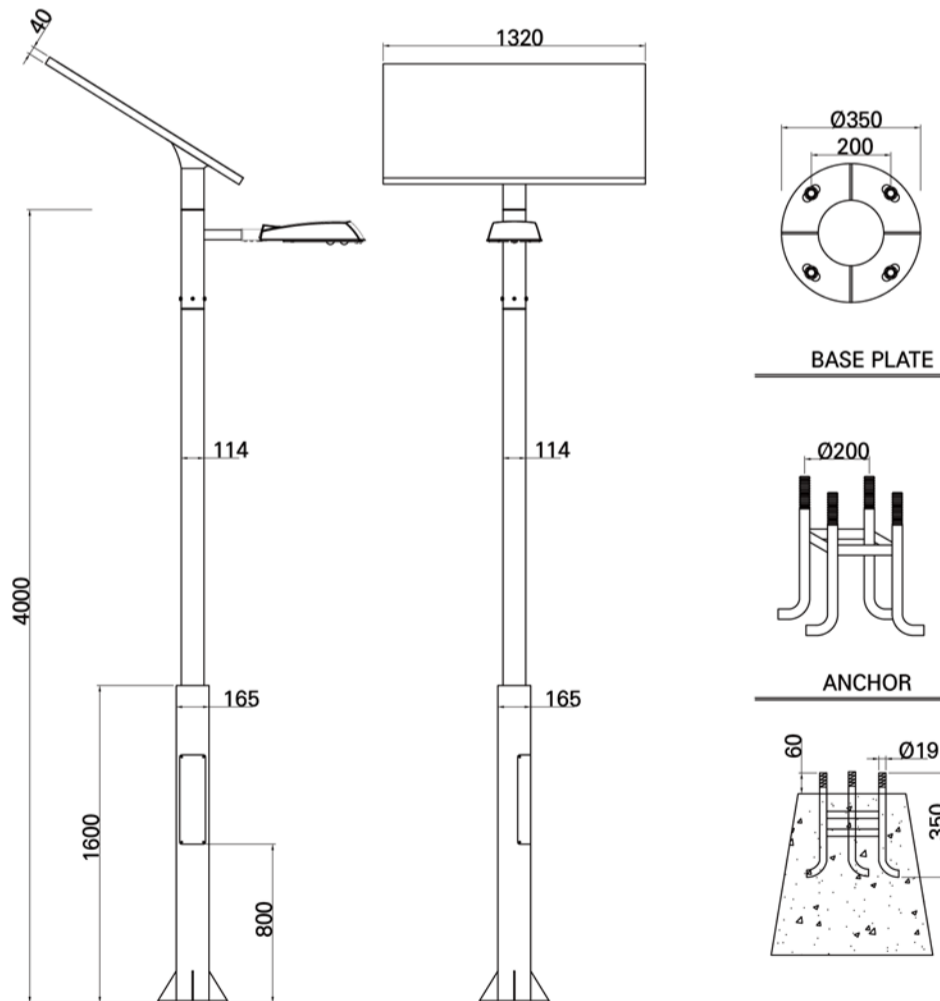
**Code**  
E0513-1

**Technical data**

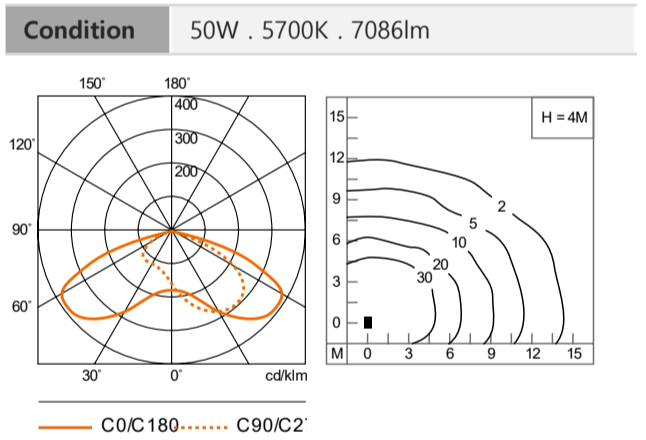


LED Source	COB
Luminous Flux (lm)	7086(5700K)
Power (W)	50
Luminous efficiency (lm/W)	146
Beam angle (°)	Asymmetry
Color Temperature (K)	3000~6000
CRI	≥80
Installation	-
Dimension (mm)	256 x 1000 x 4000 / 1150 X 1320(Panel)
Housing	Diecast aluminium body, Stainless steel screws, Silicone seal gaskets
Diffuser	-
Reflector	-
Optic	Silicone lens
IP rating	65
Finish Color	Dark gray or Silver powdercoat finish
Electrical Data	AC 220~240V, 50~60 Hz
Control	-
Certification	KS

**Drawing**



**Photometric Data**



**Kailux**

Last Update : 2020 . 08

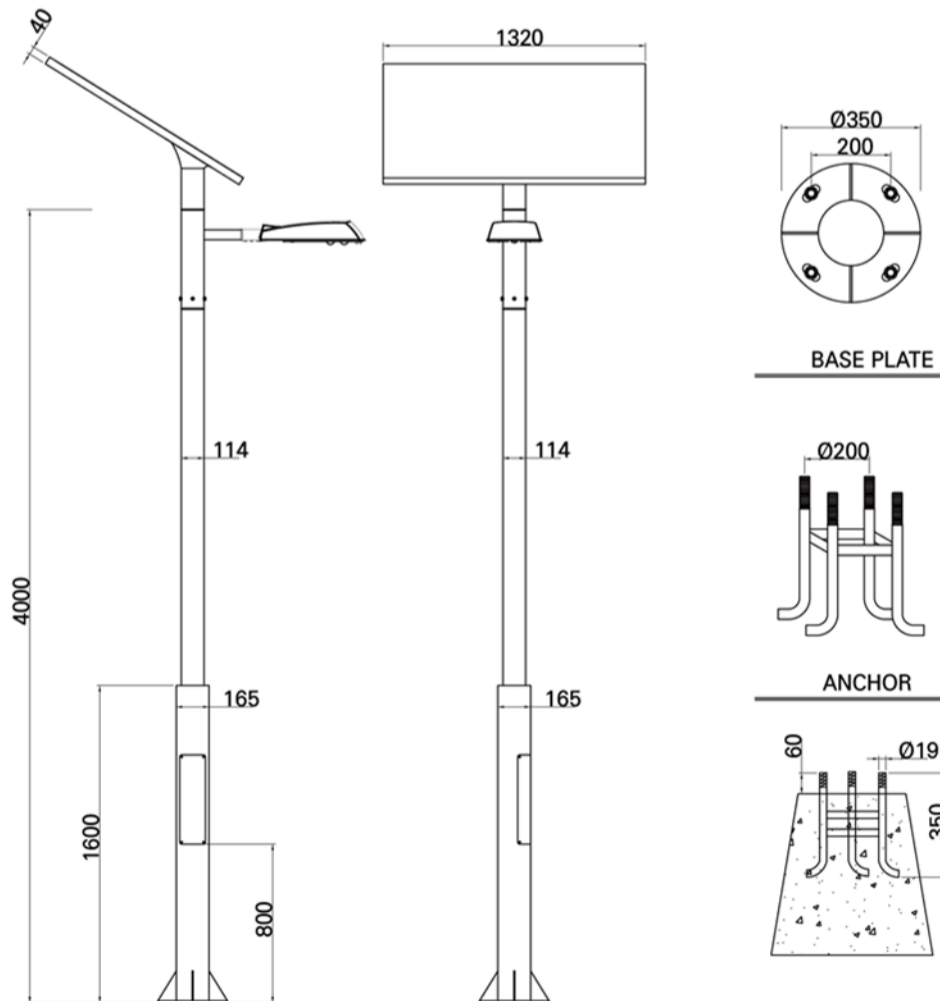
**Code**  
E0513-3

**Technical data**



LED Source	COB
Luminous Flux (lm)	10805(5700K)
Power (W)	75
Luminous efficiency (lm/W)	148
Beam angle (°)	Asymmetry
Color Temperature (K)	3000~6000
CRI	≥80
Installation	-
Dimension (mm)	256 x 1000 x 4000 / 1150 X 1320(Panel)
Housing	Diecast aluminium body, Stainless steel screws, Silicone seal gaskets
Diffuser	-
Reflector	-
Optic	Silicone lens
IP rating	65
Finish Color	Dark gray or Silver powdercoat finish
Electrical Data	AC 220~240V, 50~60 Hz
Control	-
Certification	KS

**Drawing**



**Photometric Data**

