

Kailux

Last Update : 2020 . 08

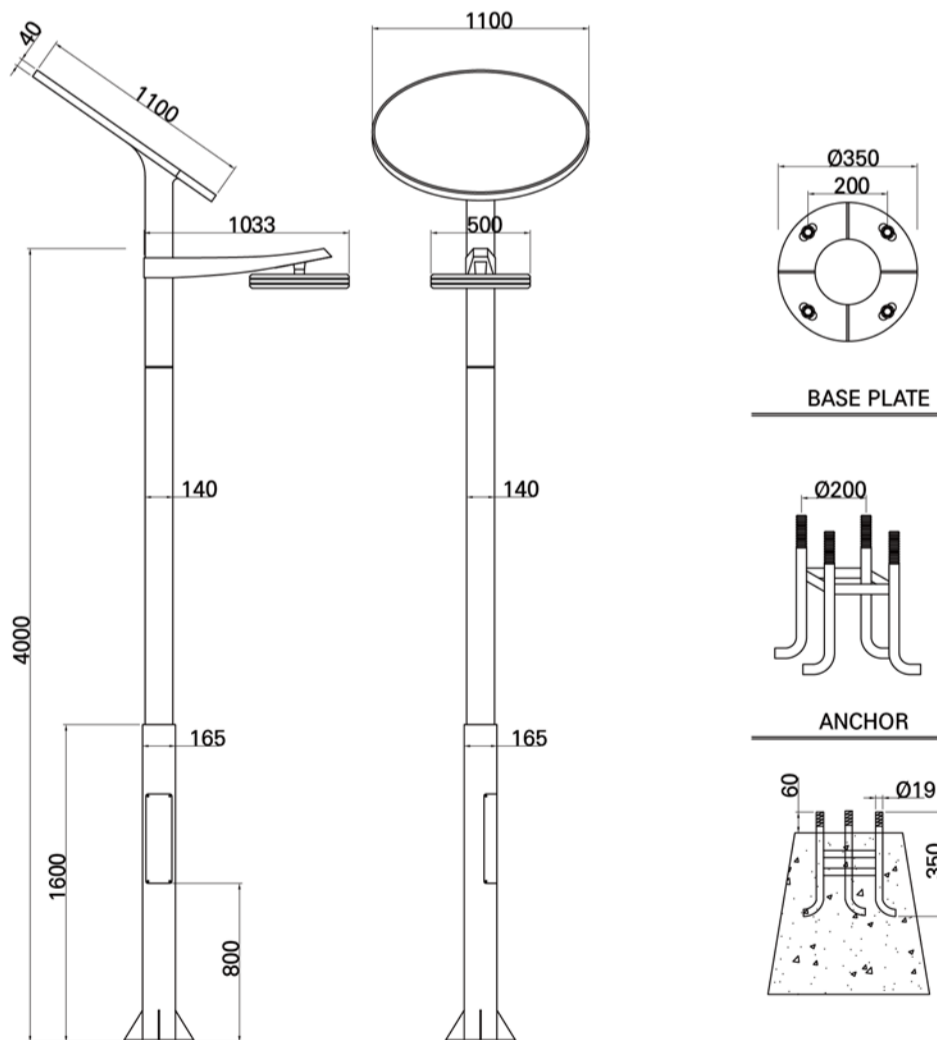
Code
E0508

Technical data



LED Source	SMD
Luminous Flux (lm)	7946(5700K)
Power (W)	70
Luminous efficiency (lm/W)	120
Beam angle (°)	Symmetry
Color Temperature (K)	3000~6000
CRI	≥80
Installation	-
Dimension (mm)	500 x 1035 x 4000 / Ø1100(Panel)
Housing	Diecast aluminium body, Stainless steel screws, Silicone seal gaskets
Diffuser	Opal polycarbonate
Reflector	-
Optic	-
IP rating	65
Finish Color	Dark gray or Silver powdercoat finish
Electrical Data	AC 220~240V, 50~60 Hz
Control	-
Certification	KS

Drawing



Photometric Data

