

Kailux

Last Update : 2020 . 08

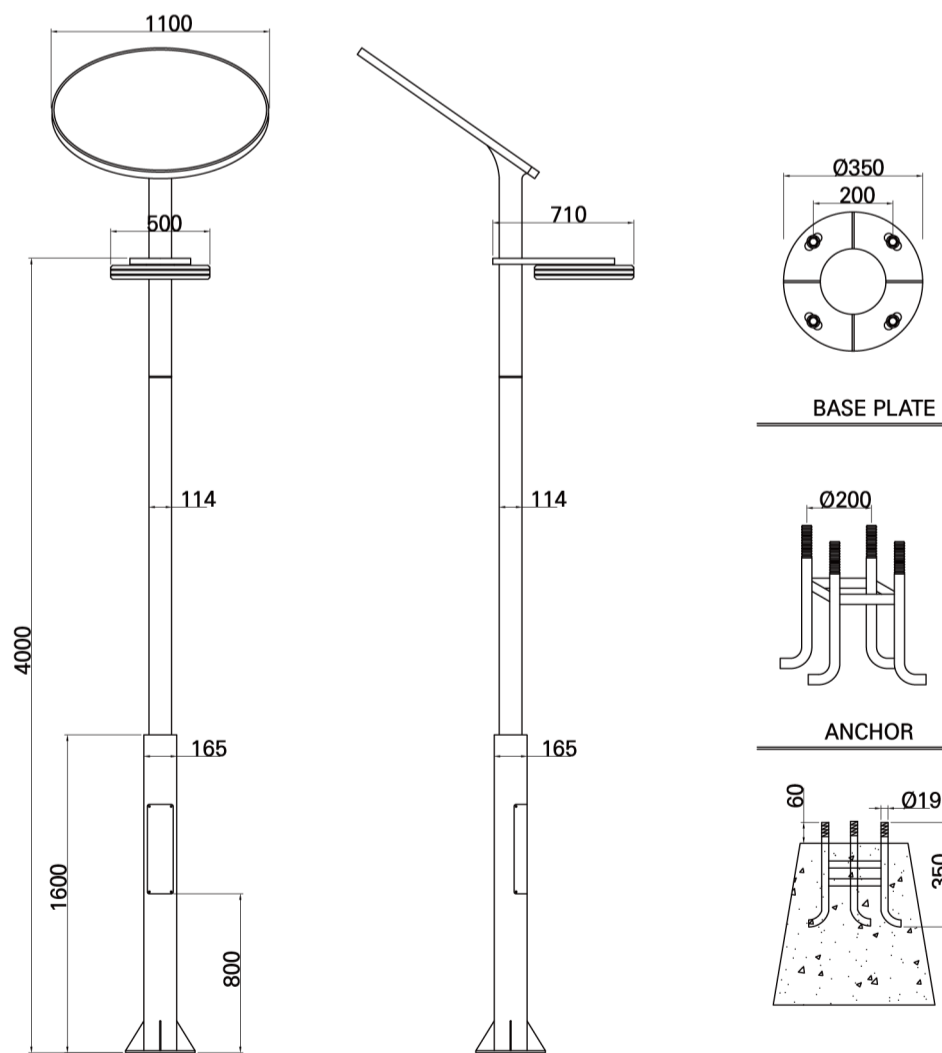
Code
E0505-1

Technical data

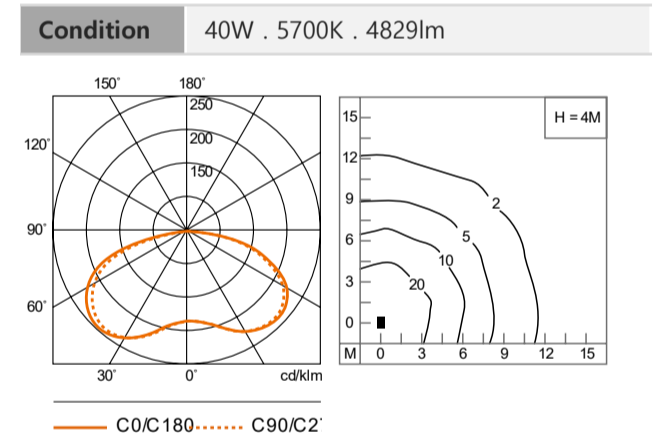


LED Source	COB
Luminous Flux (lm)	4829(5700K)
Power (W)	40
Luminous efficiency (lm/W)	116
Beam angle (°)	Asymmetry
Color Temperature (K)	3000~6000
CRI	≥80
Installation	-
Dimension (mm)	500 x 700 x 4000 / Ø1100(Panel)
Housing	Cast aluminium body, Stainless steel screws, Silicone seal gaskets
Diffuser	-
Reflector	-
Optic	Silicone lens
IP rating	65
Finish Color	Dark gray or Silver powdercoat finish
Electrical Data	AC 220~240V, 50~60 Hz
Control	-
Certification	KS

Drawing



Photometric Data



Kailux

Last Update : 2020 . 08

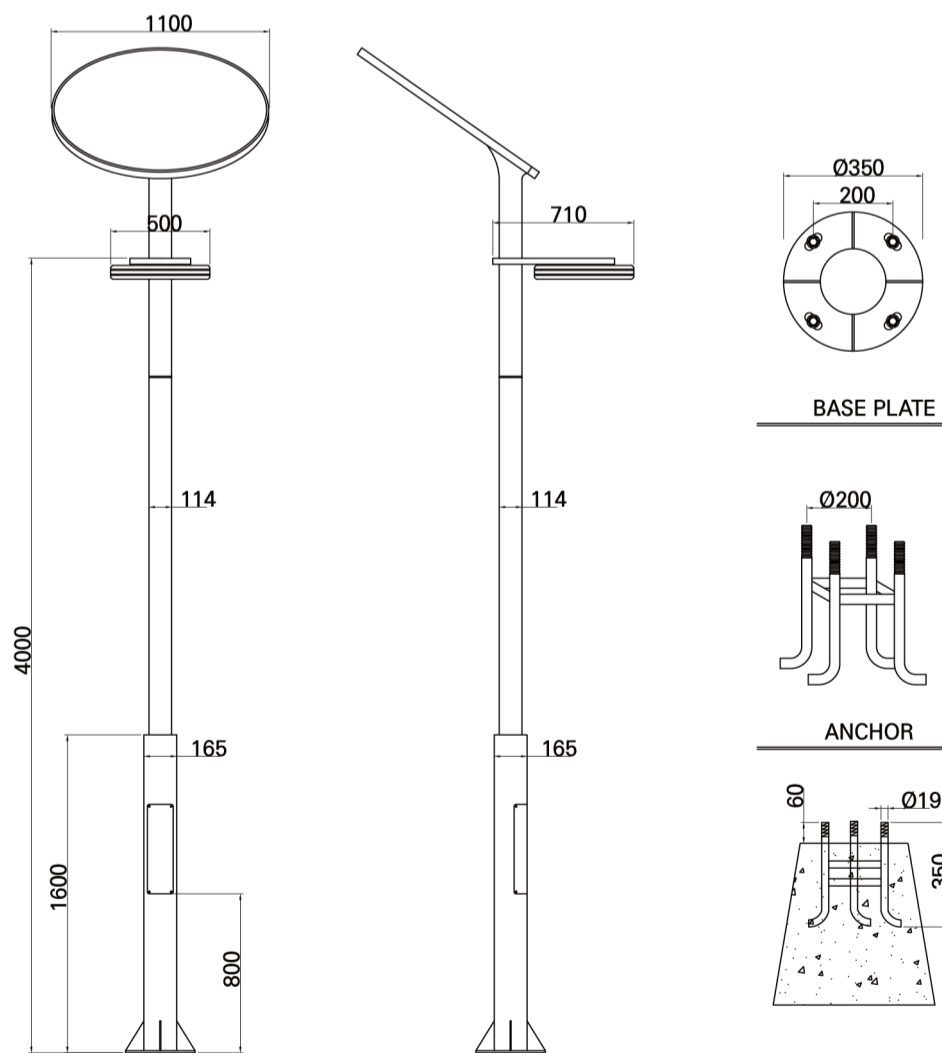
Code
E0505-2

Technical data



LED Source	COB
Luminous Flux (lm)	7086(5700K)
Power (W)	50
Luminous efficiency (lm/W)	146
Beam angle (°)	Asymmetry
Color Temperature (K)	3000~6000
CRI	≥80
Installation	-
Dimension (mm)	500 x 700 x 4000 / Ø1100(Panel)
Housing	Cast aluminium body, Stainless steel screws, Silicone seal gaskets
Diffuser	-
Reflector	-
Optic	Silicone lens
IP rating	65
Finish Color	Dark gray or Silver powdercoat finish
Electrical Data	AC 220~240V, 50~60 Hz
Control	-
Certification	KS

Drawing



Photometric Data

